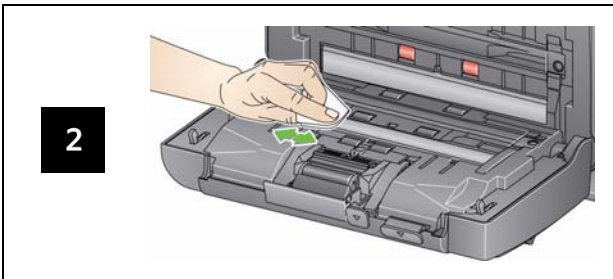


Cleaning the imaging area




Supplies and Accessories

CAT No.	Description
148 4864	Kodak Feed Rollers
173 6115	Kodak Separation Module
826 9607	Kodak Feed Module
853 5981	Kodak Roller Cleaning Pads
169 0783	Kodak Transport Cleaning Sheets
896 5519	Staticide Wipes for Kodak Scanners
826 6488	Brilliance Detailer Wipes
892 7717	Kodak White Background Accessory
119 9470	Kodak Legal Flatbed Accessory
189 4351	Kodak A3 Flatbed Accessory

Indicator Lights and Error Codes

NOTE: If you have a Kodak i24x0 Scanner, only the code will be displayed in the function window.

Code	Message/Remedy
0	<i>Check USB cable</i> Indicates that there is no USB connection or the USB cable is not securely attached.
	<i>Power saver mode</i> No action required.
	<i>Scanning....</i> The scanner is scanning documents.
U5, E3	<i>Rescan documents</i> USB cable has been disconnected while the scanner was running.
U6	<i>Clear paper path and close cover</i> Open the scanner cover and verify that all documents are removed from the paper path. Then close the scanner cover.
U8	<i>Multifeed</i> <ul style="list-style-type: none"> A multifeed document has been detected. Clear the multifeed condition. The document you are trying to scan is too long.
U9	<i>Paper jam</i> Document jam or the paper path is blocked. Clear the documents from the paper path.
E1, E2	 <ul style="list-style-type: none"> Be sure all cables are connected properly. Turn power off and then on again. If the problem persists, call Service.
E2, E4, E7	<ul style="list-style-type: none"> Turn power off and then on again. If the problem persists, call Service.

Kodak Alaris Inc.
2400 Mount Read Blvd.
Rochester, New York 14615
A-61842 / Part #5K4148 May 2015
© 2015Kodak Alaris Inc. All rights reserved

The Kodak trademark and trade dress are used under license from Eastman Kodak Company.



i24x0 / i26x0 / i28x0 Scanners



Reference Guide

Service & Support

www.kodakalaris.com/go/disupport

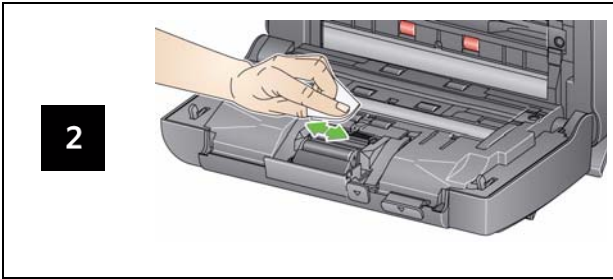
1.800.822.1414

(US&C only; all other regions, contact your local Kodak Alaris Support Center)

When contacting support, have the following available:

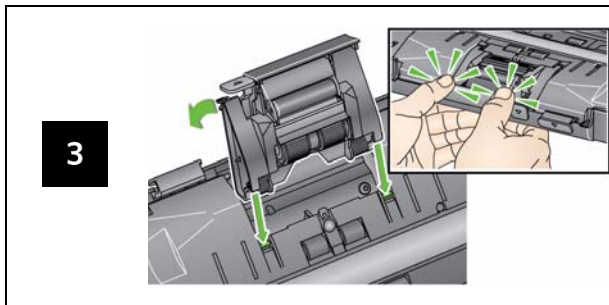
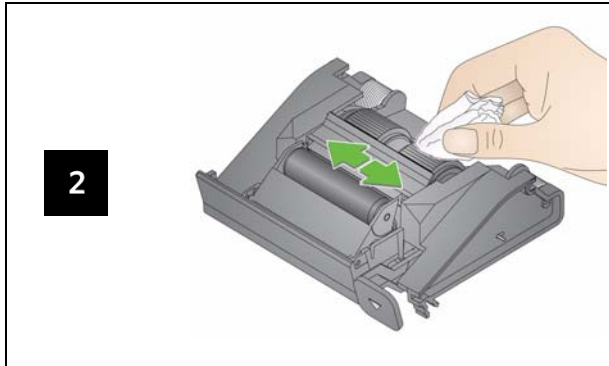
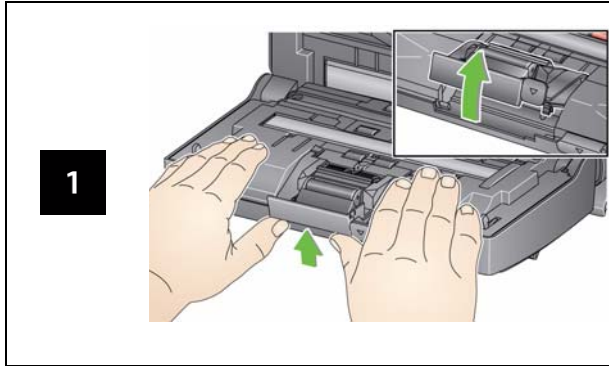
- A description of your problem
- Scanner model and serial number
- Computer configuration
- Software application you are using

Cleaning the rollers



IMPORTANT: The Roller Cleaning Pad contains sodium lauryl ether sulfate which can cause eye irritation. Refer to the MSDS for more information.

Cleaning and replacing the separation module



Cleaning and replacing the feed module

